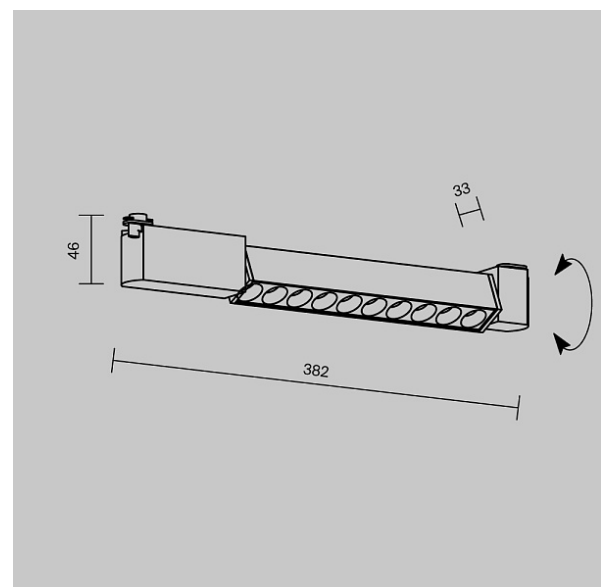


# Track luminaire Points

## Single-phase track system UNITY 3000K 10W 30°

Series: Points Article: TR010-1-10W3K-M-B-DE

Article	TR010-1-10W3K-M-B-DE
Analogue	TR010-1-10W3K-M-B
Old product code	TR010-1-10W3K-M-B
Brand	Technical
Collection	Single-phase track system UNITY
Series	Points
Product type	Track luminaire
Fitting color	Black
Fitting material	Aluminum and plastic
Color temperature	3000 K
IP protection	IP 20
Dimmable	No
Height	46 mm
Width	33 mm
Color rendering index	90 CRI
Length	382 mm
Scattering angle	30 °
Voltage	50Hz AC 220-240 V
Protection level	Class2
Warranty	3 years
Power	10 W
Volume	0.001 m <sup>3</sup>



Maximum height	46 mm
Light flux	620 Lm
Base diameter	46 mm
Mounting hole depth	20 mm
Mounting Hole Width	33 mm
Energy efficiency class	G
Fireproof	No
Packing length	62 mm
Net	0.3 kg
Gross	0.4 kg