

Entry / ECO

Standard / STD

Professional / PRO

ODM & OEM

Intelligent / INT

STD
Specifications



LED Downlight
DL367 Series

 **UPSHINE**[®]



Introduction

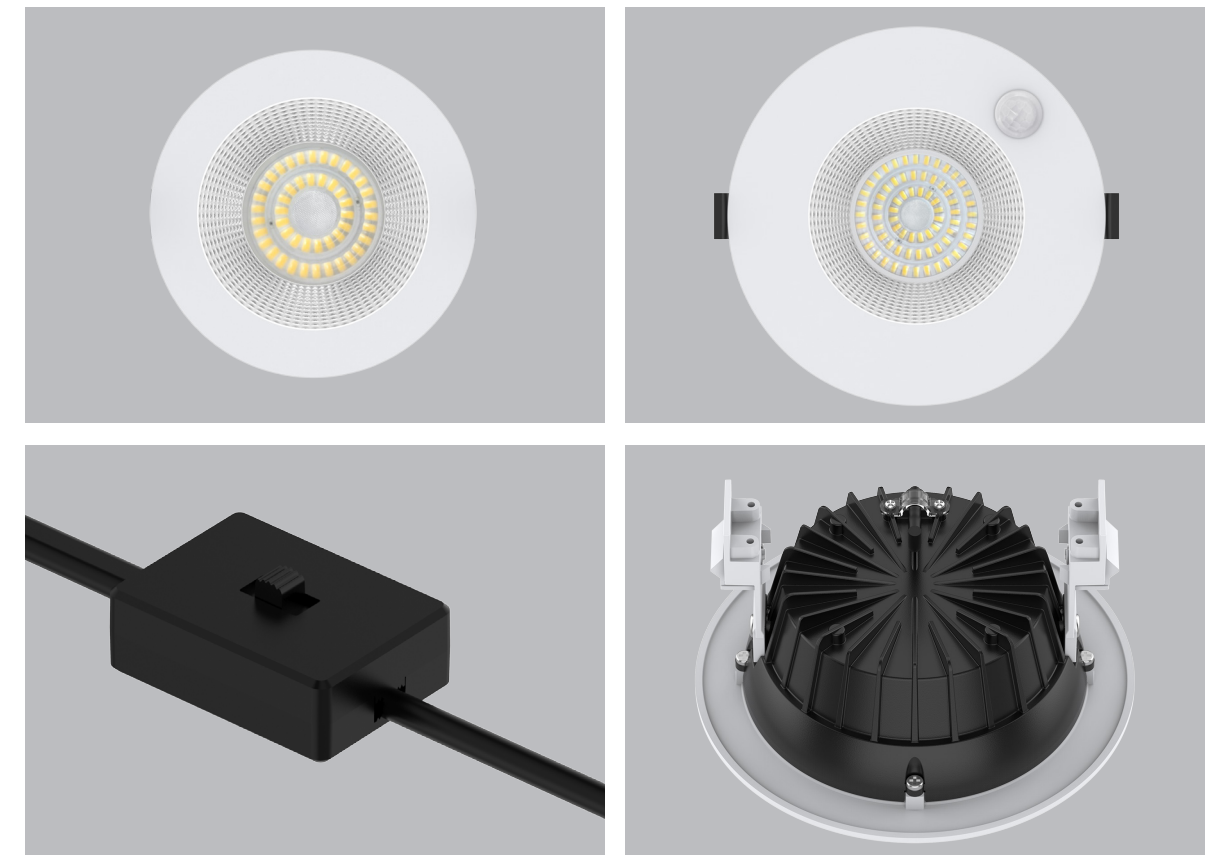
This is a super slim SMD downlight with high lumen efficiency. The concave design in front and reflector+lens optic combination reduced the height of the lamp and make it anti-glare, which offers a comfortable visual experience. Besides, it's not only a recessed downlight, but also can do surface mounted with extra accessory for 4/6/8 inches, CCT adjustable, sensor available, one lamp with multiple function use.

Features

- Lens+reflector optic design to lower the glare and reach to UGR<19.
- High lumen efficiency with 2835SMD light source, 130lm/W@4000K.
- Interchangeable CCT(3000K+4000K+5700K)with slide switch.
- Sensor available for 6 inch.
- External flicker free driver.
- Dimming way: Triac.
- Installation way: Recessed, surface mounted(for 4/6/8inches).

Application Areas

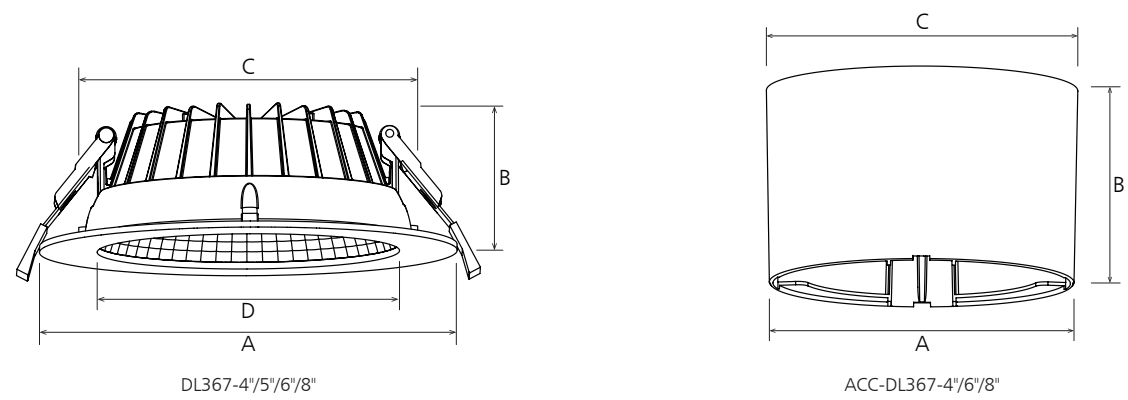
It is designed for general lighting applications in office, supermarket, shop, school, hotel, etc. It is also widely used for public areas, such as stairway, lobby, reception, corridors etc.





Technical Data Sheet

Code No.	DL367-4-9W	DL367-4-12W	DL367-5-11W	DL367-5-16W	DL367-6-12W	DL367-6-18W	DL367-6-24W	DL367-8-12W	DL367-8-18W	DL367-8-24W	DL367-6-9W-S1	DL367-6-12W-S1		
Dimension(mm)	Ø145*55		Ø170*58		Ø190*61			Ø228*61			Ø180*63			
Cutout (mm)	120-130		140-150		160-170			200-210			160-170			
Watt(W)	9W	12W	11W	16W	12W	18W	24W	12W	18W	24W	9W	12W		
Rated Input Voltage(V)	AC230V													
Input Voltage(V)	220-240V													
LED Module Input	-													
Light Source	SMD2835													
SDCM	<6													
CCT(K)	1-CCT: 3000K/4000K/5000K/5700K 3-CCT: 3000K + 4000K + 5700K													
CCT Selection DIP Switch	YES													
Luminous Flux (lm) ±5%	Non-DIM	1-CCT	1200-1300	1550-1750	1400-1600	1950-2200	1600-1780	2300-2550	2800-3200	1650-1850	2350-2650	3050-3450	1200-1300	1550-1750
			DIM	1200-1300	1450-1650	1300-1500	1950-2200	1500-1680	2200-2450	2800-3200	1550-1750	2250-2550	2950-3350	1200-1300
	Non-DIM	3-CCT	1150-1300	1500-1680	1350-1550	1800-2100	1600-1780	2180-2500	2700-3100	1620-1800	2300-2500	2900-3300	1150-1300	1500-1680
			DIM	1150-1300	1400-1580	1250-1450	1800-2100	1500-1680	2080-2400	2700-3100	1520-1700	2200-2400	2800-3200	1150-1300
CRI	≥80													
Beam Angle (°)	60°													
UGR	≤19	≤22	≤19	≤22	≤19	≤22		≤19			≤19	≤22		
LED Driver	built-out													
Dimming Option	Triac													
Sensor	-										PIR			
Emergency Kits	-													
Electrical Class	Class II													
Ingress Protection (IP Rating)	Recessed IP54(Below Ceiling), IP40(Inside Ceiling) / Surface mount IP40													
Impact Resistance (IK Rating)	/													
Product Finishing(Base)	White RAL 9016													
Materials of Optics	PC+Aluminium													
Materials of Housing	Aluminum die-casting													
Lifetime (hr)	50,000h													
Glow wire test (°C)	750°C													
Operating Temp. (°C)	-20°C~40°C													
Storage Temp. (°C)	-20°C~65°C													
Installation	Recessed / Surface mount		Recessed		Recessed / Surface mount			Recessed / Surface mount			Recessed			



Measurement

Code	Dimension(mm)				Size(mm)	Product Weight (Kg)		Package weight (Kg)		Carton Size(cm)	Qty/CTN	20GP (pcs)	40HQ (pcs)
	A	B	C	D		N.W/PC	G.W/PC	N.W/CTN	G.W/CTN				
DL367-4	145	55	118	103	Ø145*55	0.32	0.38	7.68	9.12	50*36.5*30.5	24	11256	26688
DL367-5	170	58	138	123	Ø170*58	0.39	0.45	9.36	10.8	57.5*41.5*32.5	24	8736	20736
DL367-6	190	61	158	143	Ø190*61	0.44	0.51	10.56	12.24	46*44.5*47.5	24	5664	14880
DL367-6-S1	180	63	158	103	Ø180*63	0.6	0.66	7.20	8.87	44*42*38.5	12	3900	9720
DL367-8	228	61	199	183	Ø228*61	0.59	0.66	14.16	15.84	55*52.5*47.5	24	4224	10560
ACC-DL367-4	145	93	148	-	Ø148*93	0.34	0.44	8.16	12	54.5*36.5*50	24	5952	15600
ACC-DL367-6	190	93	193	-	Ø193*93	0.43	0.55	5.16	8	45.5*45.5*38	12	4320	9660
ACC-DL367-8	228	100	232	-	Ø232*100	0.53	0.68	6.36	9.5	53*53*41	12	2592	6648

Driver Datasheet(Non-dimmable)

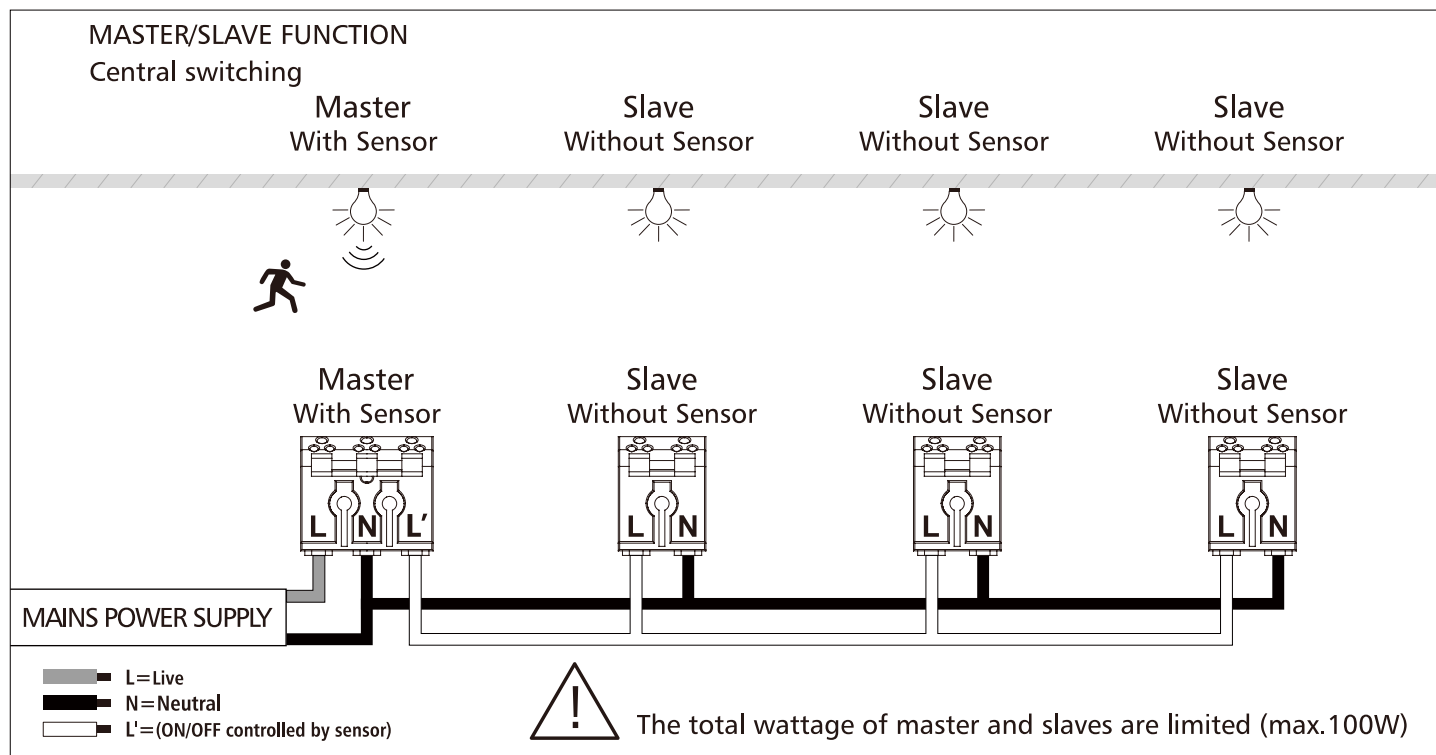
Total load wattage		9W	11W	12W	16W	18W	24W
Output	Output Voltage range	DC30-40V					
	Rated output current	230mA	300mA	320mA	400mA	450mA	600mA
	Line Regulation	±5%					
	Setup, Rise Time	≤500ms @230V					
	Flickering Index	0.5%(NO RISK)			0.8%(NO RISK)		
Input	Input Voltage	AC200-264V					
	Rated Input Voltage(V)	AC220-240V					
	Frequency	50/60Hz					
	Input Current	≤0.06A	≤0.07A	≤0.08A	≤0.1A	≤0.11A	≤0.14A
	Rated Input Current	≤0.05A	≤0.07A	≤0.07A	≤0.09A	≤0.1A	≤0.13A
	Power Factor	0.9					
	THD	<20% @230V					
	Efficiency	≥86%			≥88%		
	No load wattage	<0.5W@230V					
Protection	Short circuit protection	PASS					
	Over voltage protection	PASS					
	Over temperature protection	PASS					
Safety & EMC	Withstand voltage	I/P-O/P:3.75KVac, <5mA 60S					
	Isolation Resistance	I/P-O/P: 500VDC, ≥100M Ω					
	Surge	IEC/EN61000-4-5(P<25W; L-N:500V)					
	EMC Emission	EN55015, EN61000-3-2					
	EMC Immunity	EN61000-4-2,3,4,5,6,8,11; EN61547					

Driver Datasheet(Triac Dimmable)

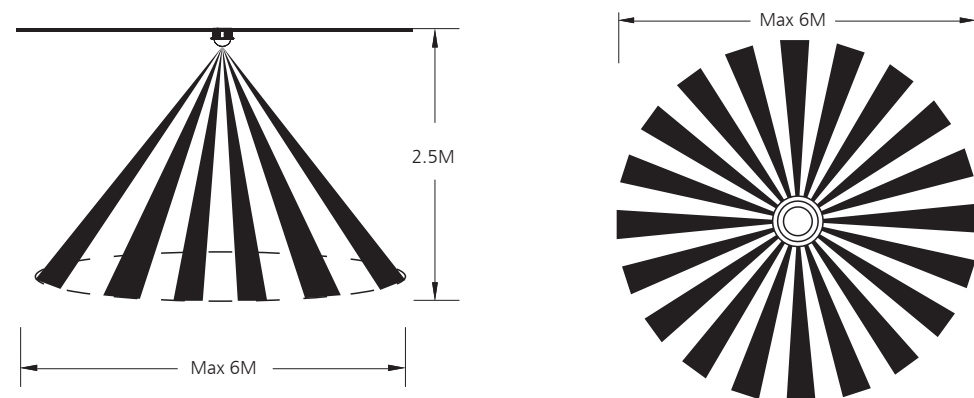
Total load wattage		9W	11W	12W	16W	18W	24W
Output	Output Voltage range	DC30-40V					
	Rated output current	230mA	280mA	300mA	400mA	430mA	580mA
	Line Regulation	±5%					
	Setup, Rise Time	≤500ms @230V					
	Flickering Index	5%(LOW RISK)			4%(LOW RISK)		
Input	Input Voltage	AC200-264V					
	Rated Input Voltage(V)	AC220-240V					
	Frequency	50Hz					
	Input Current	≤0.06A	≤0.07A	≤0.08A	≤0.1A	≤0.11A	≤0.16A
	Rated Input Current	≤0.06A	≤0.07A	≤0.07A	≤0.09A	≤0.1A	≤0.13A
	Power Factor	0.9					
	THD	<20% @230V					
	Efficiency	≥80%			≥83%		
	No load wattage	<0.5W@230V					
Protection	Short circuit protection	PASS					
	Over voltage protection	PASS					
	Over temperature protection	PASS					
Safety & EMC	Withstand voltage	I/P-O/P:3.75KVac, <5mA 60S					
	Isolation Resistance	I/P-O/P: 500VDC, ≥100M Ω					
	Surge	IEC/EN61000-4-5(P<25W; L-N:500V)					
	EMC Emission	EN55015, EN61000-3-2					
	EMC Immunity	EN61000-4-2,3,4,5,6,8,11; EN61547					

Sensor Datasheet	
Operating voltage	AC220-240V
Power consumption	1Wmax
Microwave frequency	-
Transmission power	-
Detection angle	90°
Detection Area	2-3M Knob adjustable
Hold time	10S-7min Knob adjustable
Daylight sensor	10-2000lux Knob adjustable
Stand-by DIM Level	-
Stand-by Period	-
Dimming Range	-
Microwave ON/OFF function	-
Installation Height	Recessed recommended height is 2.5m
Minimum mounting distance	Recommended mounting distance should be more than 2m
Operating temperature(°C)	-20°C~40°C

Wiring Diagram:

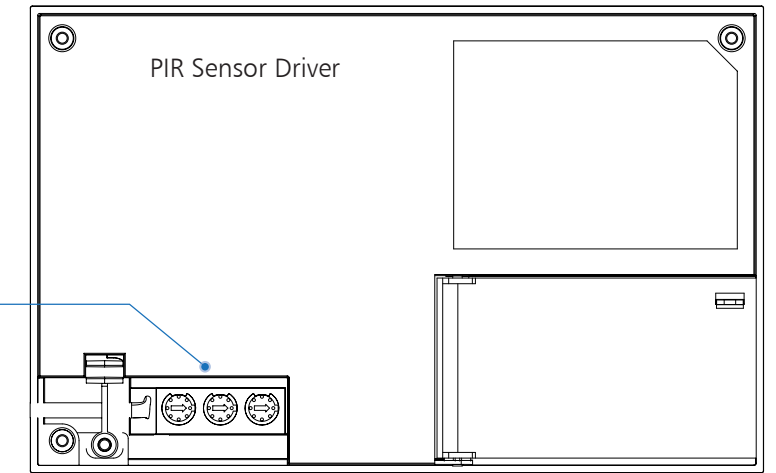
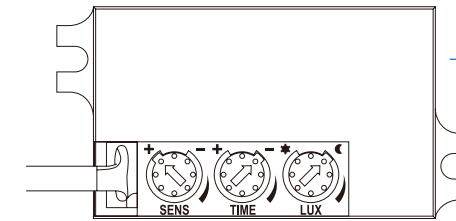


Detection Range Diagram



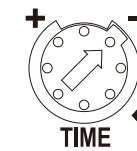
Sensor Setting:

Factory settings		
Detection Area	Hold Time	Daylight Sensor
100%	10S	10lux



Detection area:

The detection area can be adjusted by the knob, clockwise adjustment increases the sensitivity, counterclockwise adjustment reduces the sensitivity, the maximum detection distance is 6 meters, the minimum detection distance is 2 meters.
Notice 1: The distance test is carried out under $T_a 25^\circ\text{C}$, 1.8 meters wall mounting installation height. The test result is based on the movement along the tangential direction of the sensor, and the detect distance can be adjusted by the dial switch.
Notice 2: Infrared sensor will be affected by temperature. Too high or too low temperature may affect the detect distance or even cause failure to sensor.



Hold time:

The hold time can be adjusted by the knob. Clockwise adjustment increases the hold time, counterclockwise adjustment reduces the hold time, the maximum hold time is 7min, and the minimum hold time is 10S.
Notice 1: The hold time counting should be started after the sensor is powered on and initialized.



Daylight sensor:

The light threshold can be selected through the Knob. Clockwise adjustment increases the light threshold, counterclockwise adjustment reduces the light threshold, the maximum light threshold is 2000lux, and the minimum light threshold is 10lux.
Notice 1: The light threshold may cause a large deviation in different lamps.

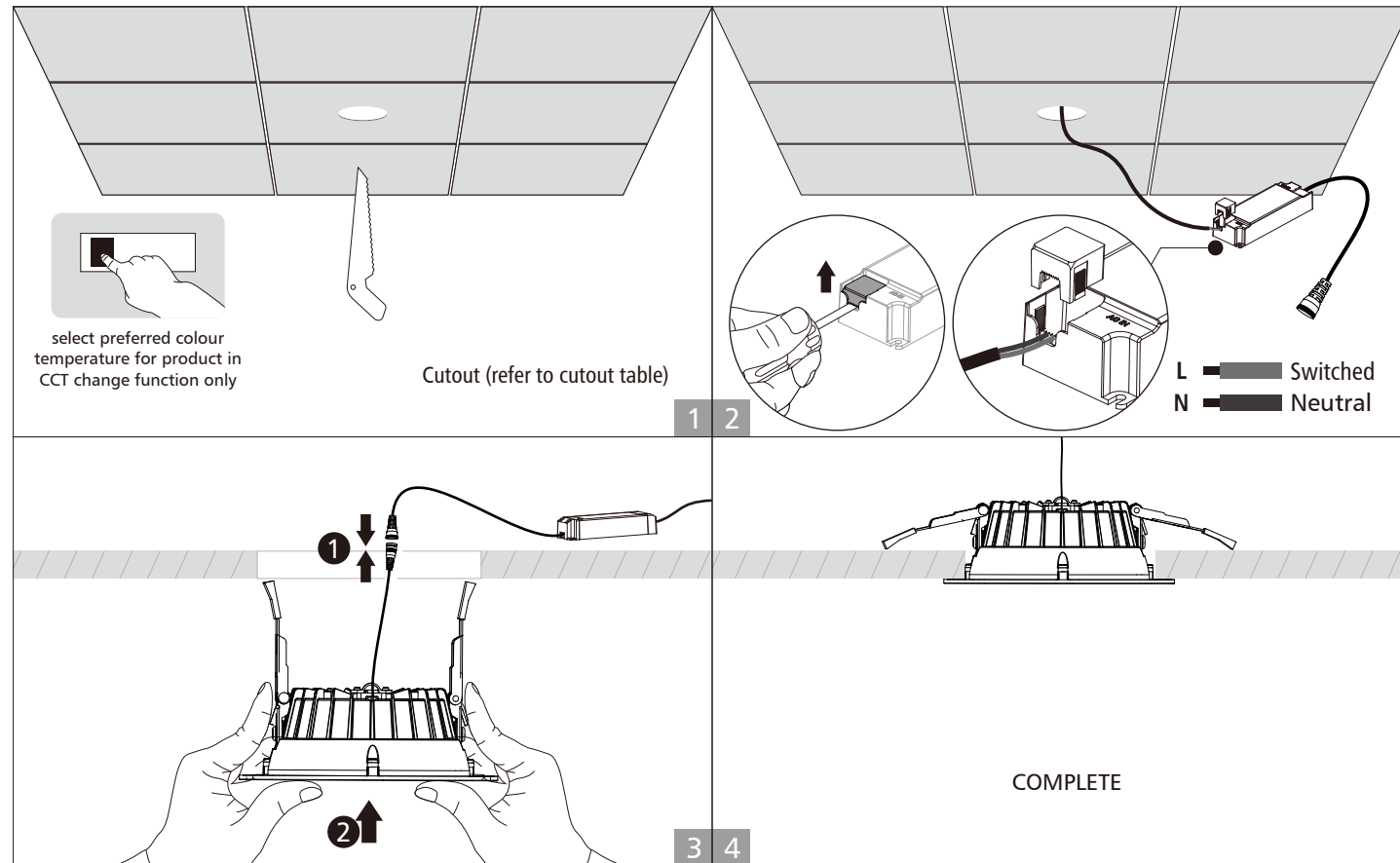
Installation Procedure

WARNING ⚡

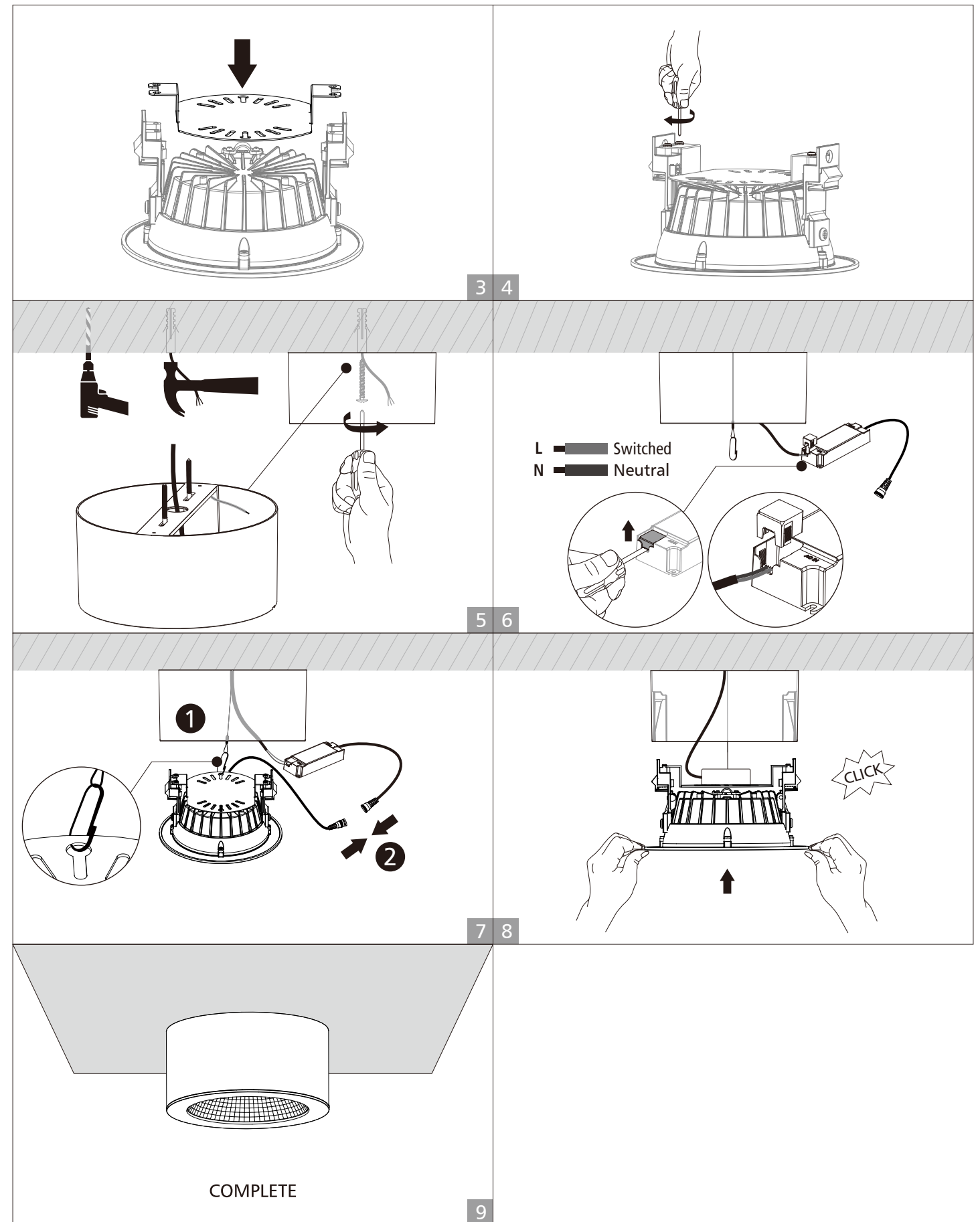
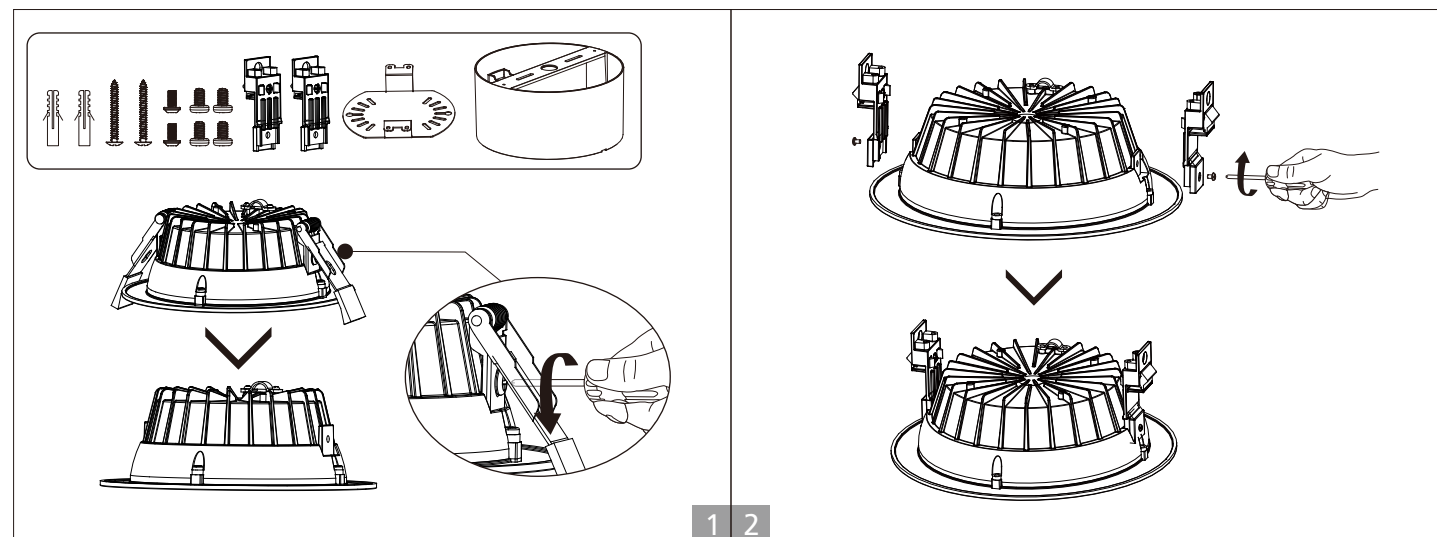
1. Switch off before installation.
2. Switch on only after complete installation and examination of the circuit.
3. Professional electrician for installation and maintenance only.



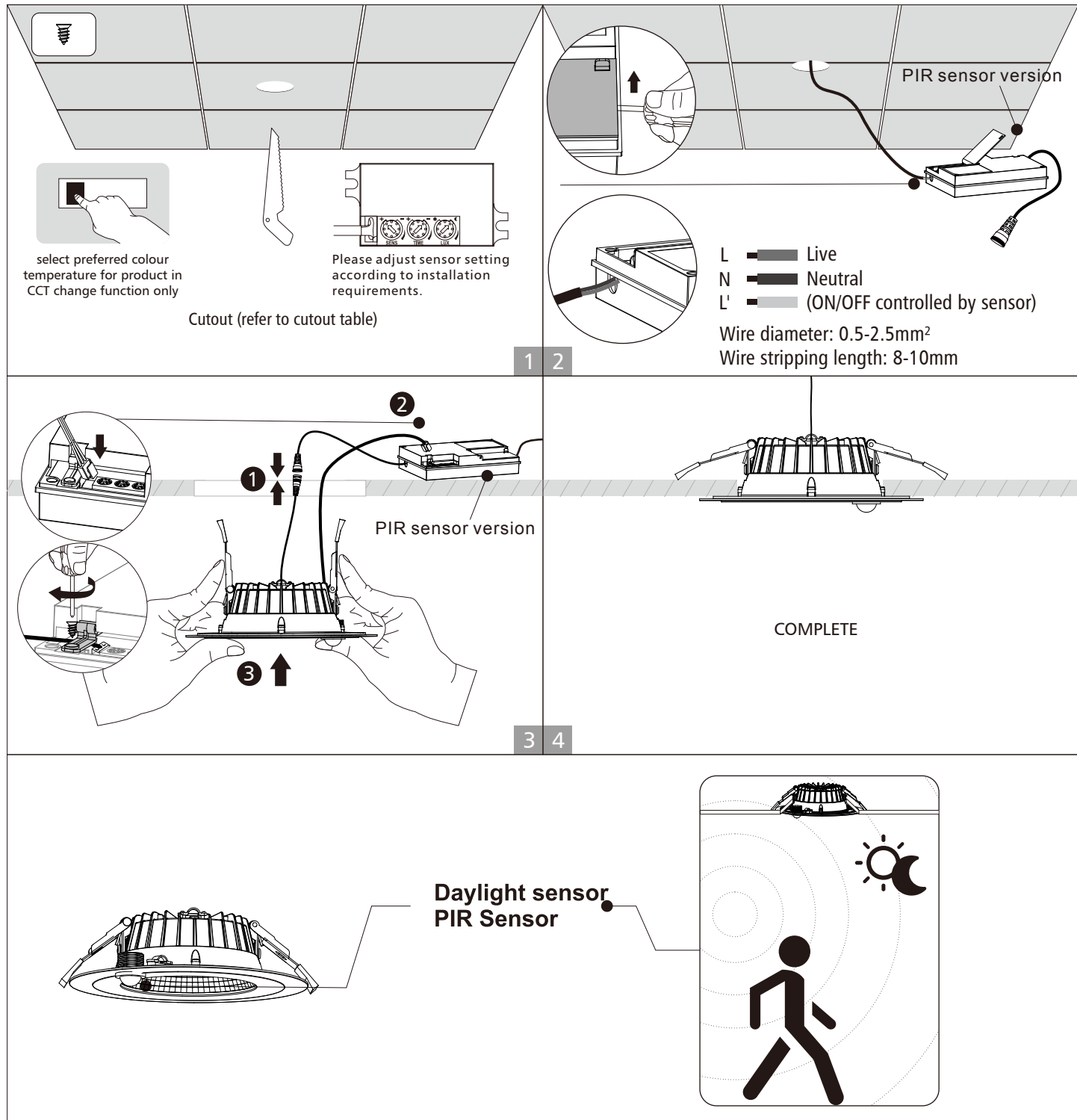
Downlight without sensor



Surface mount installation



Downlight with sensor



ECO
Specifications

STD
Specifications

PRO
Specifications

ODM
Specifications


INT
Intelligent

Up to Shine, there is life 光之上，是生活

▼ www.upshine.com info@upshine.com TEL: +86 755 2919 7332 ▼

Add: 2nd building Dingfeng High-Tech Zone, Fuyuan 1st road, Fu Yong Sub-district, Bao'an, Shenzhen China