

Dimmer selection and connection

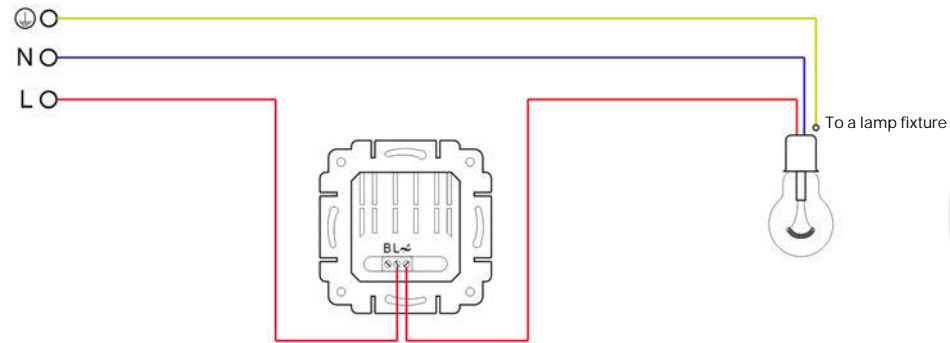
1. Dimmer selection

For LED lamps to work properly with a dimmer it is necessary to select the correct dimmer. To do so, check the driver marking and determine the dimming method. By their mode of operation, dimmers are divided into Leading Edge Dimming and Trailing Edge Dimming devices. Half-wave leading edge dimmers are marked as RL or TRIAC. Half-wave trailing edge dimmers are marked as RC or MOSFET. If there is no marking of the dimming method on the driver, universal dimmers are available with DIP switches on the rear panel, where the correct dimming mode (RL/RC) can be selected if required. It is also necessary to consider the total power consumption of all LED lamps connected to the dimmer and based on this, select a dimmer with a 15-20% power reserve.

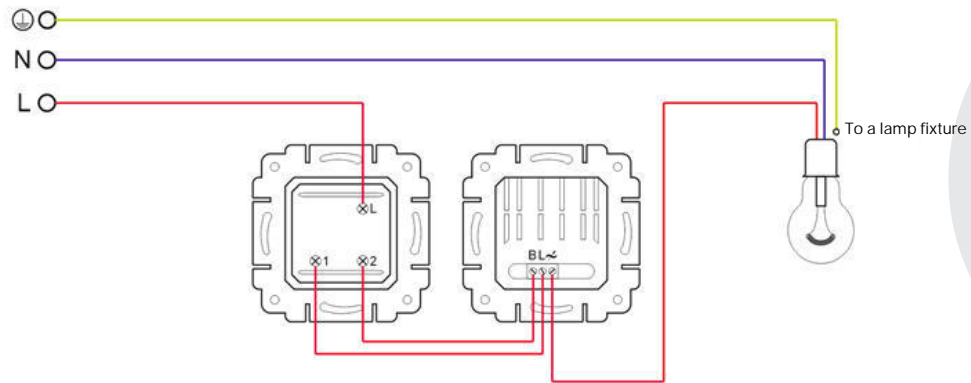
2. Dimmer connection

Connect the dimmer according to the diagram supplied with the device.
Dimmer connection options are shown below.

2.1 Dimmer connection diagram

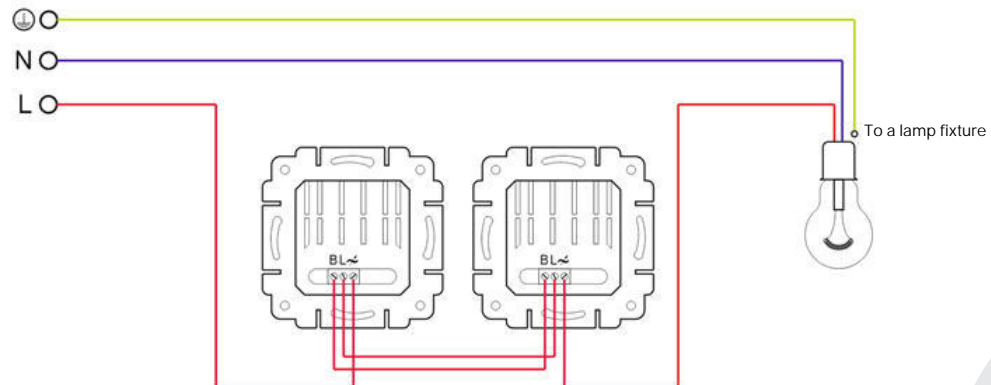


2.2 Two-way switch dimmer connection



2.3 Connection of two dimmers to a pass-through circuit

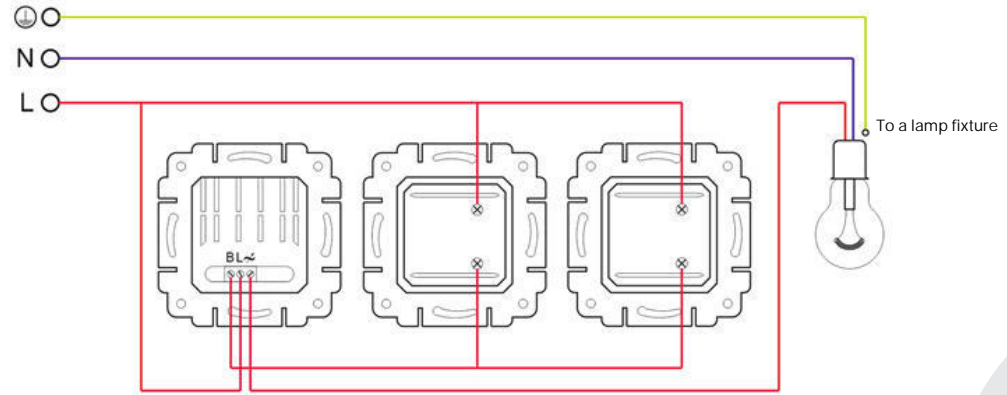
This diagram option is used when not only switching but also light intensity control from two locations is required. Note that this requires two identical dimmers. In such a circuit, pass-through dimmers should be used.



○ Technical

2.4 Connection of a dimmer with lighting control buttons

This diagram makes it possible to control lighting from more than two locations.



○ Technical