

PRODUCT DATASHEET

LION140_36W_LED_5040

Dust and water resistant LED luminaire, IP65, IK08,
Electronic, fixed output control gear.
Housing: white Polycarbonate (PC). Diffuser:
Polycarbonate (PC) . For surface or suspended mounting
Supplied with quick-fix brackets, for surface
mounting. Complete with 4000K LED.
The luminaire could be connected to the line,
quick connection.



IP65	IK08	140 lm/W
------	------	----------

TECHNICAL DATA		Product code	6007000026
Electrical data			
Nominal wattage	36W		
Nominal Voltage	165-240 V		
Power factor	≥0.90		
Mains frequency	50/60 Hz		
Photometrical data			
Color temperature (CCT)	4000 K		
Luminous efficiency	140 lm/W		
Luminous flux	5040 lm		
Color rendering index (CRI)	≥80		
Unified Glare Rating (UGR)	<21,5		
Flicker index	Flicker-Free		
Light technical data			
Beam angle	120°		
Dimensions and weight			
Dimension	1200x70x50 mm		
Weight Neto	0,594 kg		
Materials			
Body material	Polycarbonate (PC)		
Housing color	White		
Difuser material	Polycarbonate (PC)		
Operating conditions			
Ambient temperature range	-20...+65°C		
Lifespan			
Lifespan L90/B10 at 25°	50000 h		
Led Brand	EPISTAR		
Driver	2x CE_ Relux		
Mounting information			
Mounting type	Surfaced / Suspended		
Mounting location	Ceiling / Wall		

Capabilities	
Dimmable	-
Type of connection	Via push wire terminal blocks
Max power in the line	to 200W
Standards and Certificates	
Protection class IK	IK08
Type of protection IP	IP65
Standards	CE, RoHS
Warranty	60 months

LOGISTICAL DATA

Main package

Product code	6007000026
Package	Paper and plastic
Units in carton	1 pcs
Package diameters, weight bruto	1210x73x53mm; 0,594 kg
Product EAN code	4772007015023

Second package

Package	Carton box
Units in second package	12 pcs
Package diameters, weight bruto	1235x240x240mm ; 8,060 kg
ShipPing carton EAN code	4772007015030

ENERGY EFFICIENCY

ENERGY LABEL

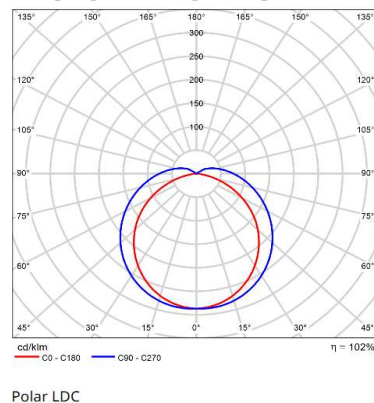
TopE Lighting
6007000026

A
B
C
D
E
F
G

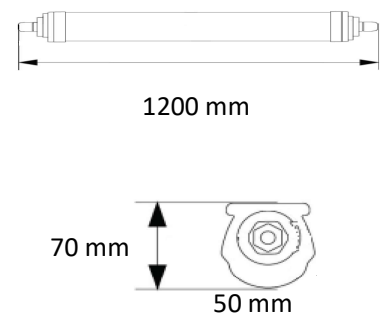
36 kWh/1000h

5100706100

PHOTOMETRIC DIAGRAM



DIMENSIONS



ALL FAMILY PRODUCTS

- 6007000025 LION140_18W_LED_2520
- 6007000026 LION140_36W_LED_5040
- 6007000027 LION140_50W_LED_7000
- 6007000028 LION140_70W_LED_9800

