

Entry / ECO

Standard / STD

Professional / PRO

ODM & OEM

Intelligent / INT



LED Pendant Light
PD322 Series



Introduction

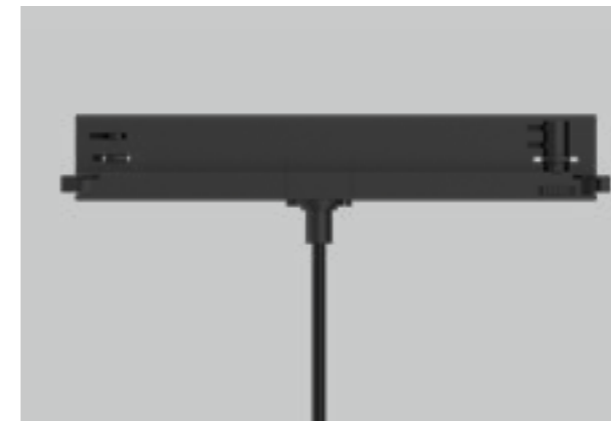
This lamp is a spherical pendant light with oblique axis rotation. It has 340 degrees of free rotation and can be adjusted to a maximum of 40 degrees for oblique illumination. Three kinds of installation: PD322 is suspended with bracket, PD322A is suspended with standard track, PD322B is suspended with DALI track. This lamp adopts COB light source with high lumen efficiency. ADC12 aluminum lamp body provides a great thermal management. Its elegant appearance and wider installation options are suitable for more and more application areas.

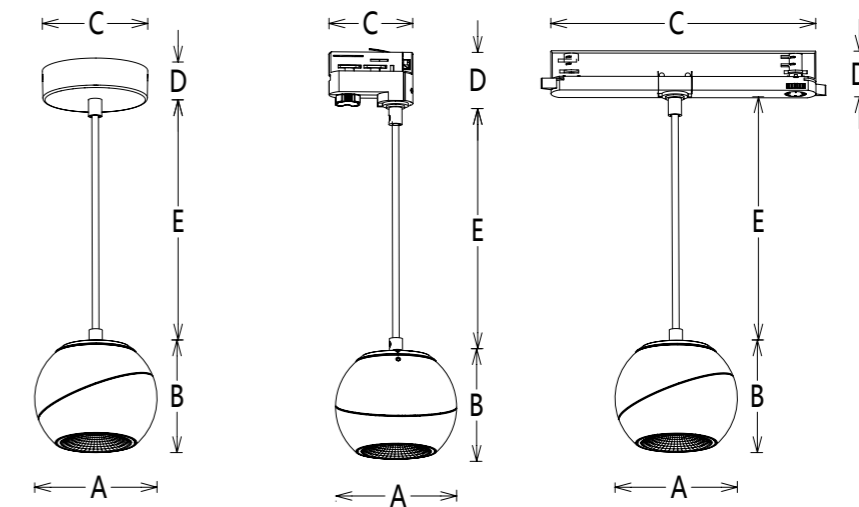
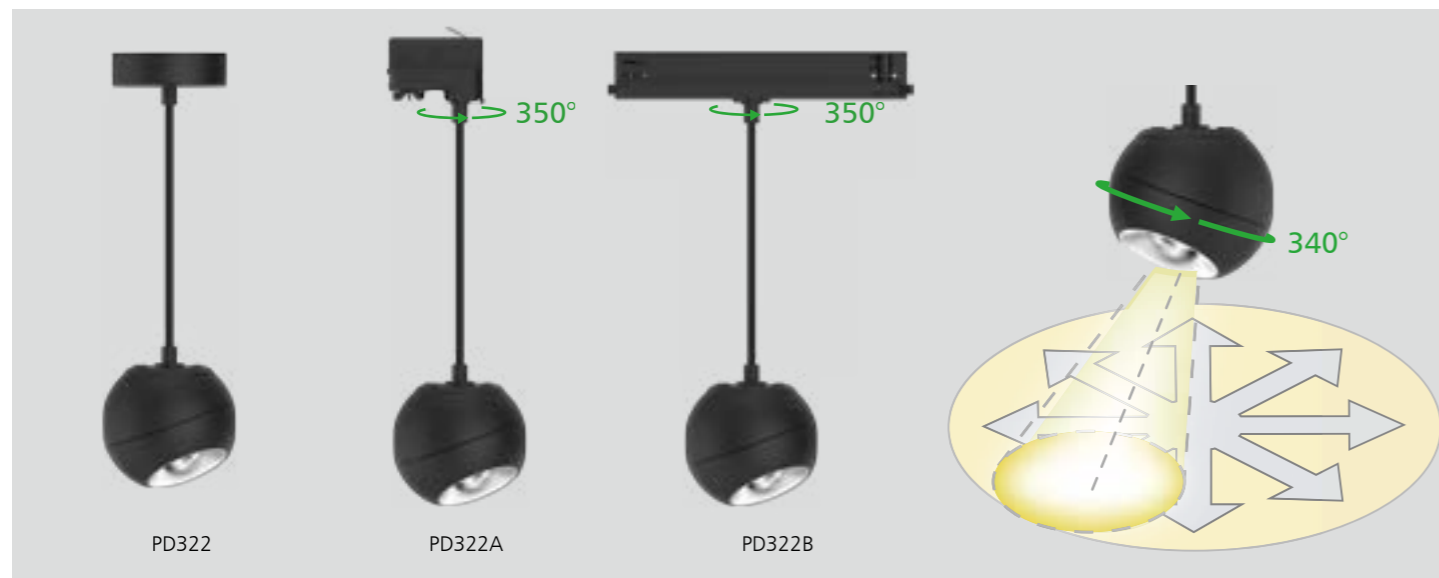
Features

- Oblique axis rotation design, 340degree rotatory and lighting direction is 40 degree adjustable.
- Suspended with bracket/ track adapter/ DALI track adapter.
- Finished color: White/black.
- High lumen efficiency, 100lm/W.

Application Areas

It is designed for general lighting applications in hotel, restaurant, home, shopping mall etc.





Technical Data Sheet

Code No.	PD322/PD322A-10W	PD322/PD322A-14W	PD322B-13W	PD322B-17W	PD322B-21W	
Dimension(mm)	Ø120*96					
Cutout (mm)	-					
Watt(W)	10W	14W	13W	17W	21W	
Rated Input Voltage(V)	AC230V					
Input Voltage(V)	AC220-240V					
LED Module Input	-					
Light Source	COB					
SDCM	<6					
CCT(K)	1-CCT: 2700K/3000K/4000K/5000K					
CCT Selection DIP Switch	NO					
Luminous Flux (lm) ±5%	Non-DIM	1-CCT	900-1200	1200-1600	-	
		DIM	-	-	1000-1400	1400-1800
	Non-DIM	3-CCT	-	-	-	-
		DIM	-	-	-	-
CRI	≥80					
Beam Angle (°)	36°/ 60°					
UGR	<22					
LED Driver	Built-in		Built-out			
Dimming Option	NO		DALI			
Sensor	NO					
Emergency Kits	NO					
Electrical Class	Class I		Class II			
Ingress Protection (IP Rating)	IP20					
Impact Resistance (IK Rating)	-					
Product Finishing(Base)	Black RAL 9005/White RAL9016					
Materials of Optics	PC					
Materials of Housing	Aluminum Die-casting					
Lifetime (hr)	50000					
Glow wire test (°C)	750°C					
Operating Temp. (°C)	-20°C ~45°C					
Storage Temp. (°C)	-20°C ~65°C					
Installation	Surface mount / Track		Track			

Measurement

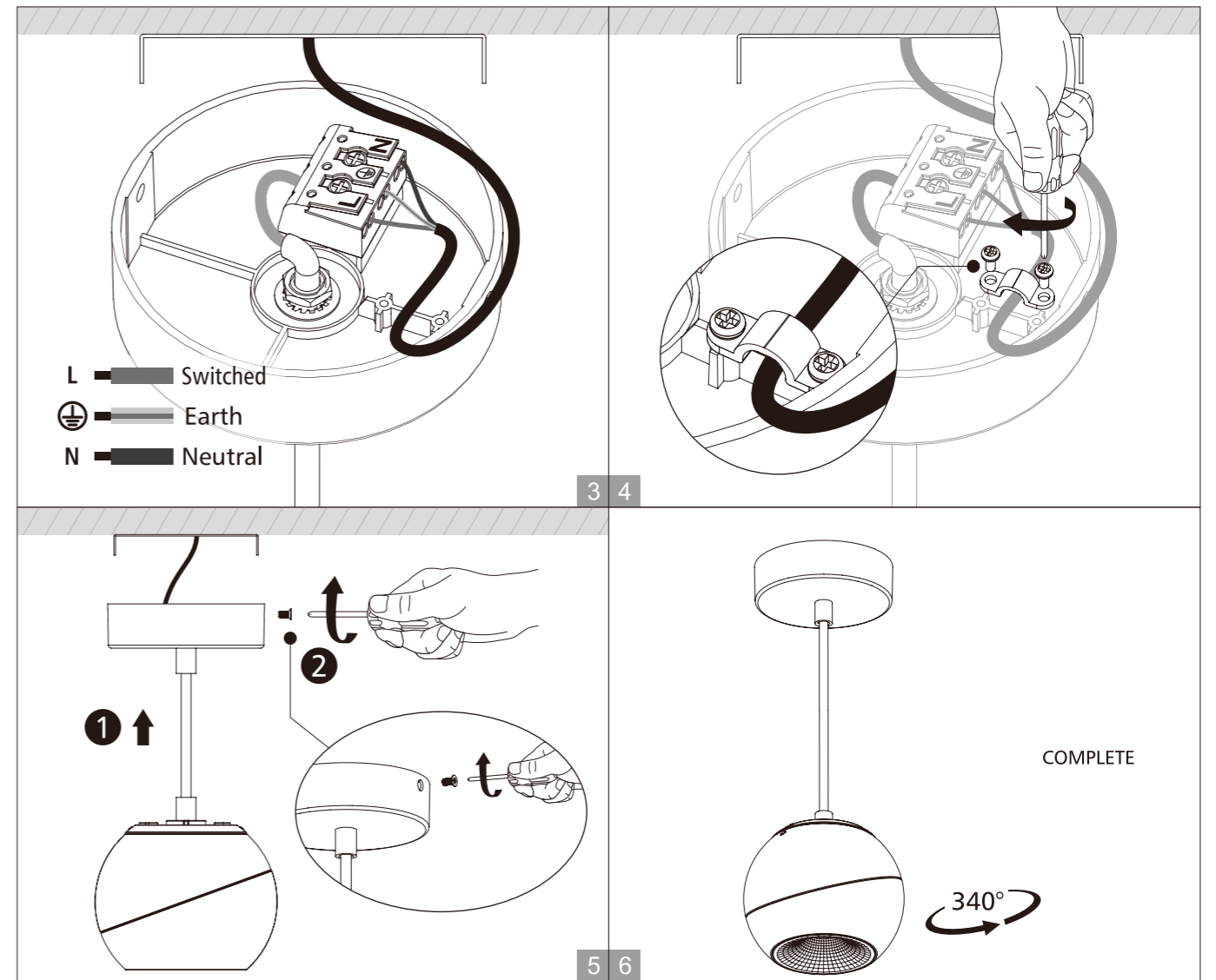
Code	Dimension(mm)					Size(mm)	Product Weight (Kg)		Package weight (Kg)		Carton Size(cm)	Qty/CTN	20GP (pcs)	40HQ (pcs)
	A	B	C	D	E		N.W/PC	G.W/PC	N.W/CTN	G.W/CTN				
PD322	120	96	103	29	1200	Ø120*96	0.98	1.12	11.8	14.8	48*41.5*33	12	5328	11688
PD322A	120	96	84	58	1200	Ø120*96	0.97	1.1	11.65	14.55	48*41.5*33	12	5328	11688
PD322B	120	96	265	46	1200	Ø120*96	1.01	1.23	12.15	16.11	61.5*48*40	12	2784	6720

Driver Datasheet (Non-dimmable)

		Total load wattage	10W	14W
Output	Output Voltage range	DC30-40V		
	Rated output current	250mA		350mA
	Line Regulation	±5%		
	Setup, Rise Time	<0.5S		
	Flickering Index	1%(NO RISK)		
Input	Input Voltage	AC220-240V		
	Rated Input Voltage(V)	AC230V		
	Frequency	50/60Hz		
	Input Current	0.06A		0.08A
	Rated Input Current	0.05A		0.07A
	Power Factor	0.9		
	THD	<20% @230V		
	Efficiency	>80%		
	No load wattage	<0.5W		
	Protection	Short circuit protection	Pass	
Over voltage protection		Pass		
Over temperature protection		Pass		
Safety & EMC	Withstand voltage	I/P-FG:1.5KVac, <5mA 60S		
	Isolation Resistance	500VDC, ≥100M Ω		
	Surge	IEC/EN61000-4-5(P<25W; L-N:500V, L/N-PE:1KV)		
	EMC Emission	EN55015, EN61000-3-2		
EMC Immunity	EN61000-4-2,3,4,5,6,8,11; EN61547			

Driver Datasheet (DALI)

Total load wattage		13W	17W	21W
Output	Output Voltage range	DC:30-40V		
	Rated output current	300mA	400mA	500mA
	Line Regulation	±5%		
	Setup, Rise Time	<0.5S		
	Flickering Index	1%(NO RISK)		
Input	Input Voltage	AC220-240V		
	Rated Input Voltage(V)	AC230V		
	Frequency	50/60Hz		
	Input Current	0.07A	0.09A	0.11A
	Rated Input Current	0.06A	0.08A	0.09A
	Power Factor	0.85	0.9	
	THD	≤20% @230V		
	Efficiency	>80%		
	No load wattage	≤0.5W(DALI OFF)		
	Protection	Short circuit protection	Pass	
Over voltage protection		Pass		
Over temperature protection		Pass		
Safety & EMC	Withstand voltage	I/P-O/P:3.75KVac, <5mA 60S		
	Isolation Resistance	I/P-O/P: 500VDC, ≥100M Ω		
	Surge	IEC/EN61000-4-5(P<25W; L-N:500V)		
	EMC Emission	EN55015, EN61000-3-2		
	EMC Immunity	EN61000-4-2,3,4,5,6,8,11; EN61547		



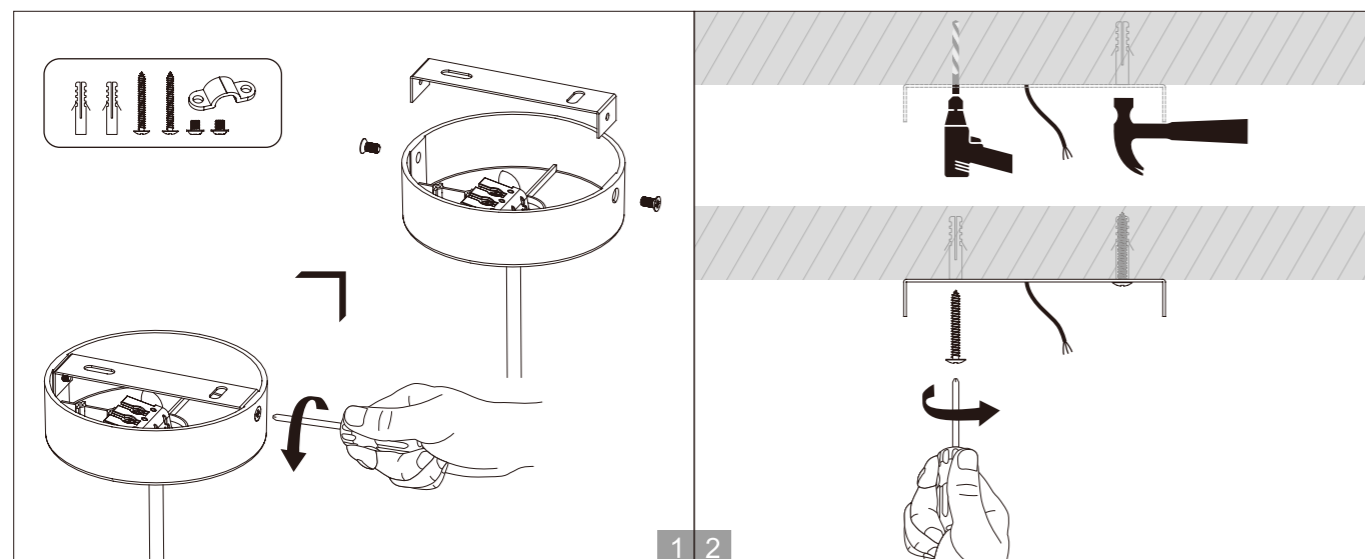
Installation Procedure

WARNING ⚡

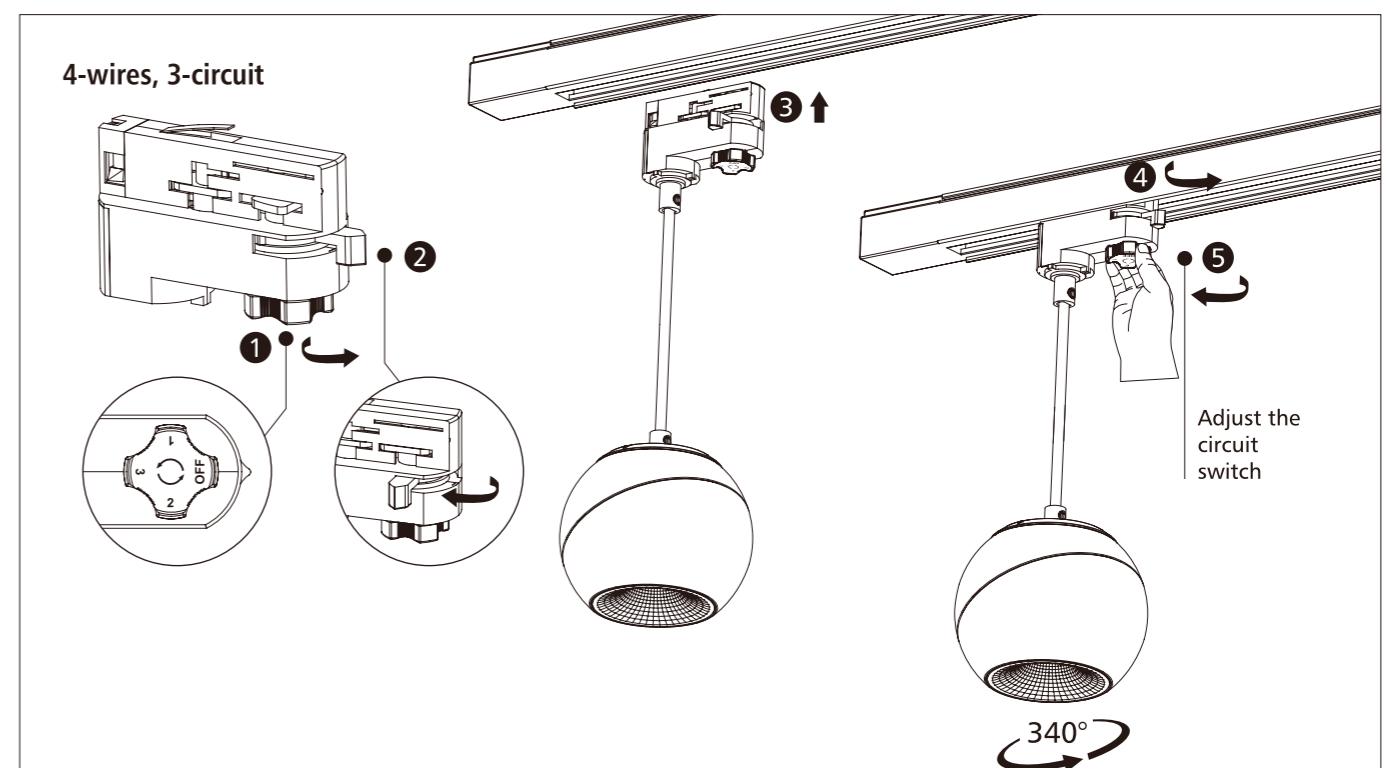
1. Switch off before installation.
2. Switch on only after complete installation and examination of the circuit.
3. Professional electrician for installation and maintenance only.



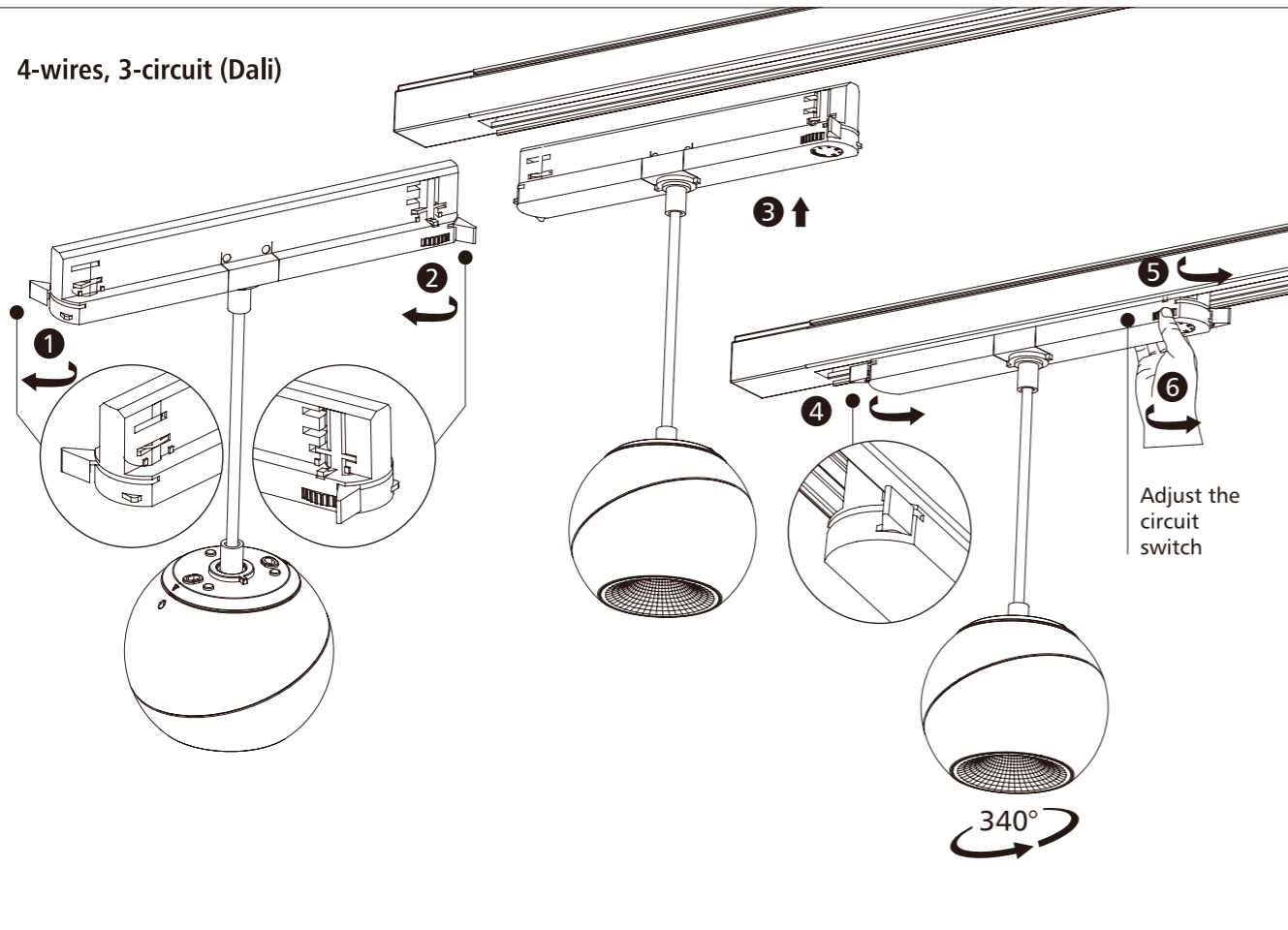
Suspended installation (With round ceiling plate)



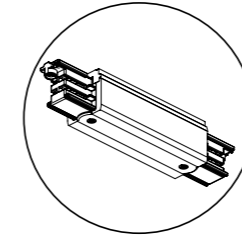
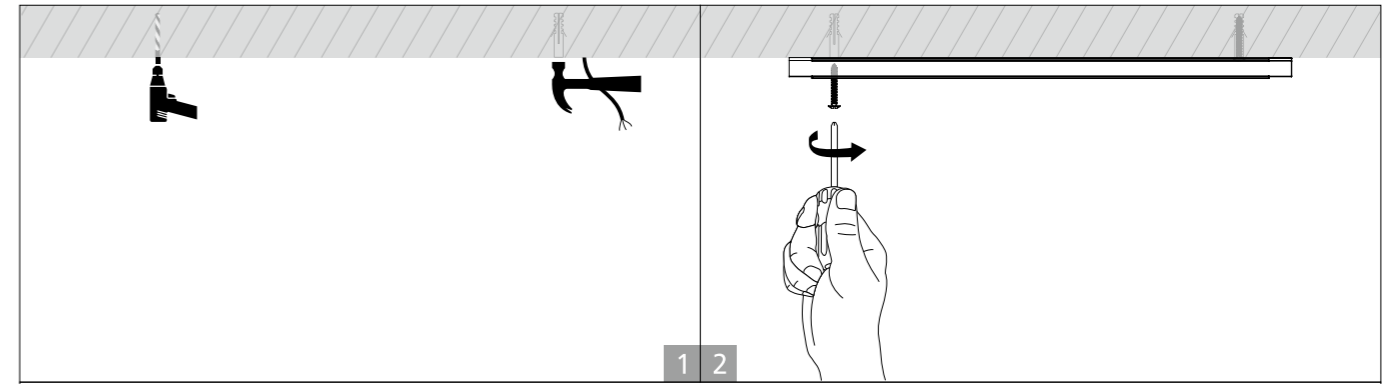
Track installation



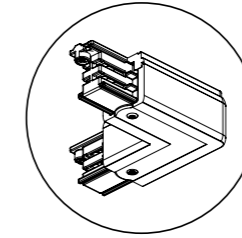
4-wires, 3-circuit (Dali)



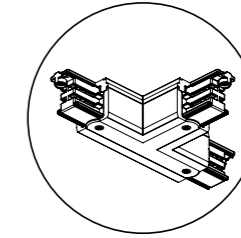
Installation for track



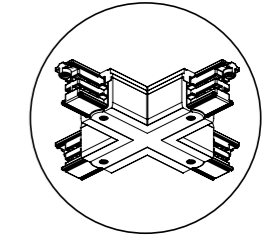
Straight "-"



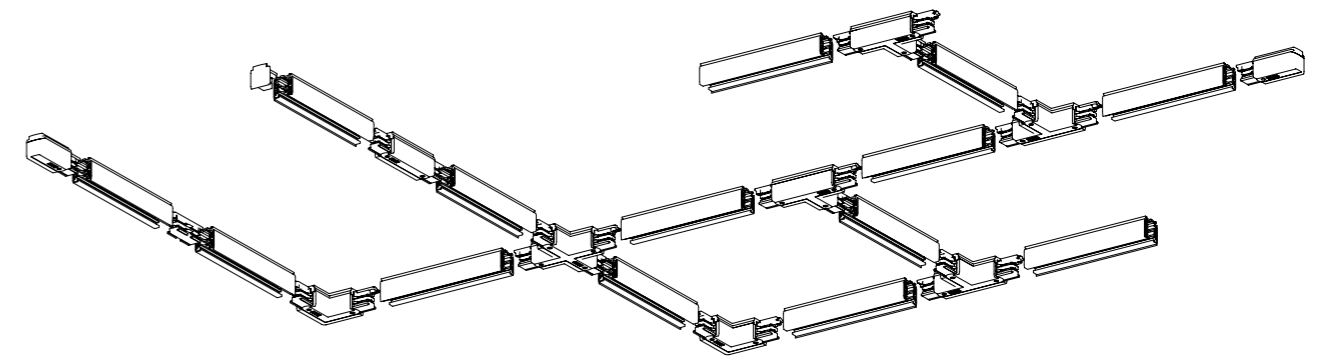
Corner "L"



"T" shape



Cross "+"



Note: Do not install in the place near heat source, or in corrosive gas environment.

ECO
Specifications

STD
Specifications

PRO
Specifications

ODM
Specifications


INT
Intelligent

UPSHINE | *Up to Shine, there is life*
光之上，是生活

▼ www.upshine.com info@upshine.com TEL: +86 755 2919 7332 ▼

Add: 2-5 Floor, 2nd Building, Runheng Industrial Zone, Fuyuan 1st Road(West side), Fuyong Sub-district, Bao'an, Shenzhen, China