

Entry / ECO

Standard / STD

Professional / PRO

ODM & OEM

Intelligent / INT



LED Downlight
DL322 Series



Introduction

DL322 is a spherical downlight with oblique axis rotation. It has 340 degrees of free rotation and can be adjusted to a maximum of 40 degrees for oblique illumination. Two kinds of installation: DL322A is surface mounted, DL322B is recessed. This downlight adopts COB light source with high lumen efficiency. ADC12 aluminum lamp body provides a great thermal management. Its elegant appearance and wider installation options are suitable for more and more application areas.

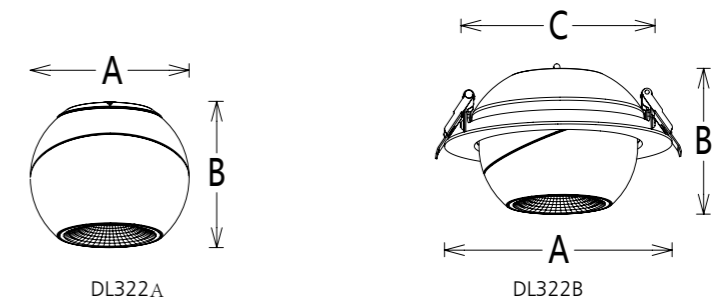
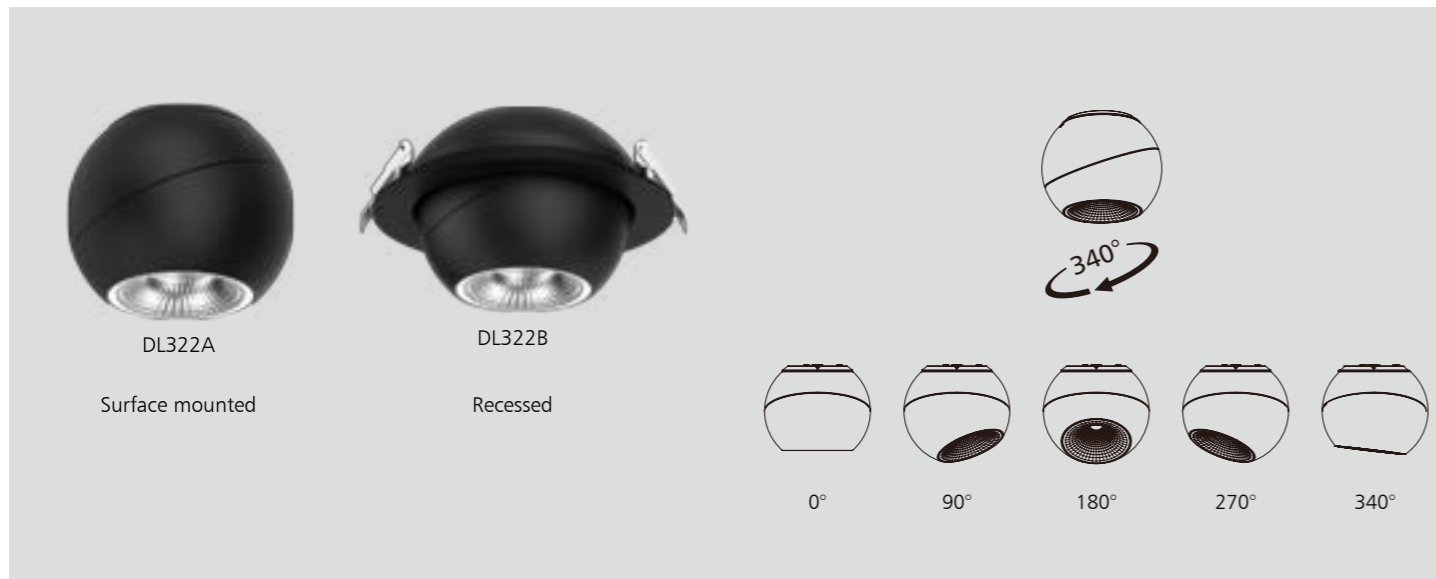
Features

- Oblique axis rotation design, 340degree rotatory and lighting direction is 40 degree adjustable.
- Surface mounted and recessed installation options.
- Finished color: White/black.
- High lumen efficiency, 100lm/W.
- Dimming way: Non-dim for DL322A/DL322B, triac dim for DL322B.

Application Areas

It is designed for general lighting applications in hotel, home, office, shop etc.





Measurement

Code	Dimension(mm)			Size(mm)	Product Weight (Kg)		Package weight (Kg)		Carton Size(cm)	Qty/CTN	20GP (pcs)	40HQ (pcs)
	A	B	C		N.W/PC	G.W/PC	N.W/CTN	G.W/CTN				
DL322A-10W/14W	120	96	—	Ø1120*96	0.81	0.9	9.72	11.5	48*32.5*27	12	8208	18588
DL322B-12W	172	100	145	Ø172*100	1.13	1.23	13.6	15.5				
DL322B-16W					1.13	1.23	13.6	15.5				
DL322B-20W					1.13	1.23	13.6	15.5				
DL322B-12W-D					1.17	1.26	14.1	16.2				
DL322B-16W-D					1.23	1.32	14.8	17				
DL322B-20W-D					1.23	1.32	14.8	17				

Technical Data Sheet

Code No.	DL322A-10W	DL322A-14W	DL322B-12W	DL322B-16W	DL322B-20W		
Dimension(mm)	Ø120*96		Ø172*100				
Cutout (mm)	-		Ø150-160				
Watt(W)	10W	14W	12W	16W	20W		
Rated Input Voltage(V)	AC230V						
Input Voltage(V)	AC220-240V						
LED Module Input	-						
Light Source	COB						
SDCM	<6						
CCT(K)	1-CCT: 2700K/3000K/4000K/5000K						
CCT Selection DIP Switch	NO						
Luminous Flux (lm) ±5%	Non-DIM	1-CCT	900-1200	1200-1600	1000-1400	1400-1800	1600-2100
		DIM	-	-	1000-1400	1400-1800	1600-2100
	Non-DIM	3-CCT	-	-	-	-	-
		DIM	-	-	-	-	-
CRI	≥80						
Beam Angle (°)	36°/ 60°						
UGR	<22				-		
LED Driver	Built-in		Built-out				
Dimming Option	NO		NO/ Triac				
Sensor	NO						
Emergency Kits	NO						
Electrical Class	Class I		Class III				
Ingress Protection (IP Rating)	IP20						
Impact Resistance (IK Rating)	-						
Product Finishing(Base)	Black RAL 9005/White RAL9016						
Materials of Optics	PC						
Materials of Housing	Aluminum Die-casting						
Lifetime (hr)	50000						
Glow wire test (°C)	750°C						
Operating Temp. (°C)	-20°C ~45°C						
Storage Temp. (°C)	-20°C ~65°C						
Installation	Surface mount		Recessed				

Driver Datasheet (Non-dimmable)

Total load wattage		10W	14W
Output	Output Voltage range	DC:30-40V	
	Rated output current	250mA	350mA
	Line Regulation	±5%	
	Setup, Rise Time	<0.5S	
	Flickering Index	1%(NO RISK)	
Input	Input Voltage	AC220-240V	
	Rated Input Voltage(V)	AC230V	
	Frequency	50/60Hz	
	Input Current	0.06A	0.08A
	Rated Input Current	0.05A	0.07A
	Power Factor	0.9	
	THD	<20% @230V	
	Efficiency	>80%	
	No load wattage	<0.5W	
	Protection	Short circuit protection	Pass
Over voltage protection		Pass	
Over temperature protection		Pass	
Safety & EMC	Withstand voltage	I/P-FG:1.5KVac, <5mA 60S	
	Isolation Resistance	500VDC, ≥100M Ω	
	Surge	IEC/EN61000-4-5(P<25W; L-N:500V, L/N-PE:1KV)	
	EMC Emission	EN55015, EN61000-3-2	
EMC Immunity	EN61000-4-2,3,4,5,6,8,11; EN61547		

Driver Datasheet (Non-dimmable)

Total load wattage		12W	16W	20W
Output	Output Voltage range	DC:30-40V		
	Rated output current	300mA	400mA	500mA
	Line Regulation	±5%		
	Setup, Rise Time	<0.5S@230V		
	Flickering Index	0.5%(NO RISK)	0.8%(NO RISK)	
Input	Input Voltage	AC220-240V		
	Rated Input Voltage(V)	AC230V		
	Frequency	50/60Hz		
	Input Current	≤0.07A	≤0.1A	≤0.12A
	Rated Input Current	≤0.07A	≤0.09A	≤0.11A
	Power Factor	0.9		
	THD	<20%@230V		
	Efficiency	≥86%	≥88%	
	No load wattage	<0.5W@230V		
	Protection	Short circuit protection	Pass	
Over voltage protection		Pass		
Over temperature protection		Pass		
Safety & EMC	Withstand voltage	I/P-O/P: 3.75KVac, <5mA 60S		
	Isolation Resistance	I/P-O/P: 500VDC, ≥100M Ω		
	Surge	IEC/EN61000-4-5(L-N:500V)		
	EMC Emission	EN55015, EN61000-3-2		
	EMC Immunity	EN61000-4-2,3,4,5,6,8,11; EN61547		

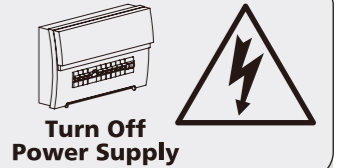
Driver Datasheet (Triac Dimmable)

Total load wattage		12W	16W	20W
Output	Output Voltage range	DC:30-40V		
	Rated output current	300mA	400mA	500mA
	Line Regulation	±5%		
	Setup, Rise Time	<0.5S@230V		
	Flickering Index	<5%(LOW RISK)	<4%(LOW RISK)	
Input	Input Voltage	AC220-240V		
	Rated Input Voltage(V)	AC230V		
	Frequency	50Hz		
	Input Current	≤0.08A	≤0.1A	≤0.13A
	Rated Input Current	≤0.07A	≤0.09A	≤0.11A
	Power Factor	0.9		
	THD	<20% @230V		
	Efficiency	≥80%	≥83%	
	No load wattage	<0.5W@230V		
	Protection	Short circuit protection	Pass	
Over voltage protection		Pass		
Over temperature protection		Pass		
Safety & EMC	Withstand voltage	I/P-O/P: 3.75KVac, <5mA 60S		
	Isolation Resistance	I/P-O/P: 500VDC, ≥100M Ω		
	Surge	IEC/EN61000-4-5(L-N:500V)		
	EMC Emission	EN55015, EN61000-3-2		
	EMC Immunity	EN61000-4-2,3,4,5,6,8,11; EN61547		

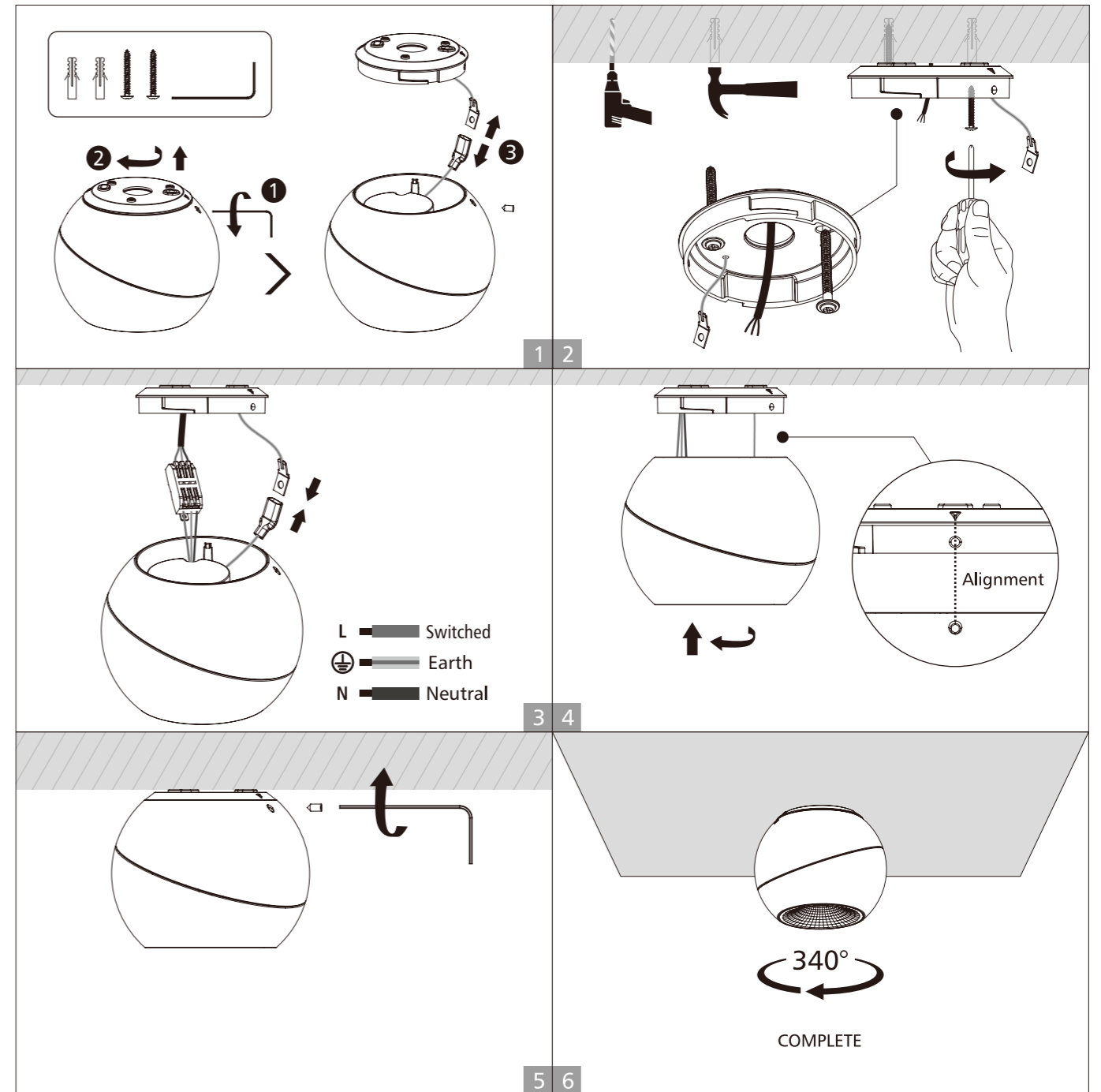
Installation Procedure

WARNING

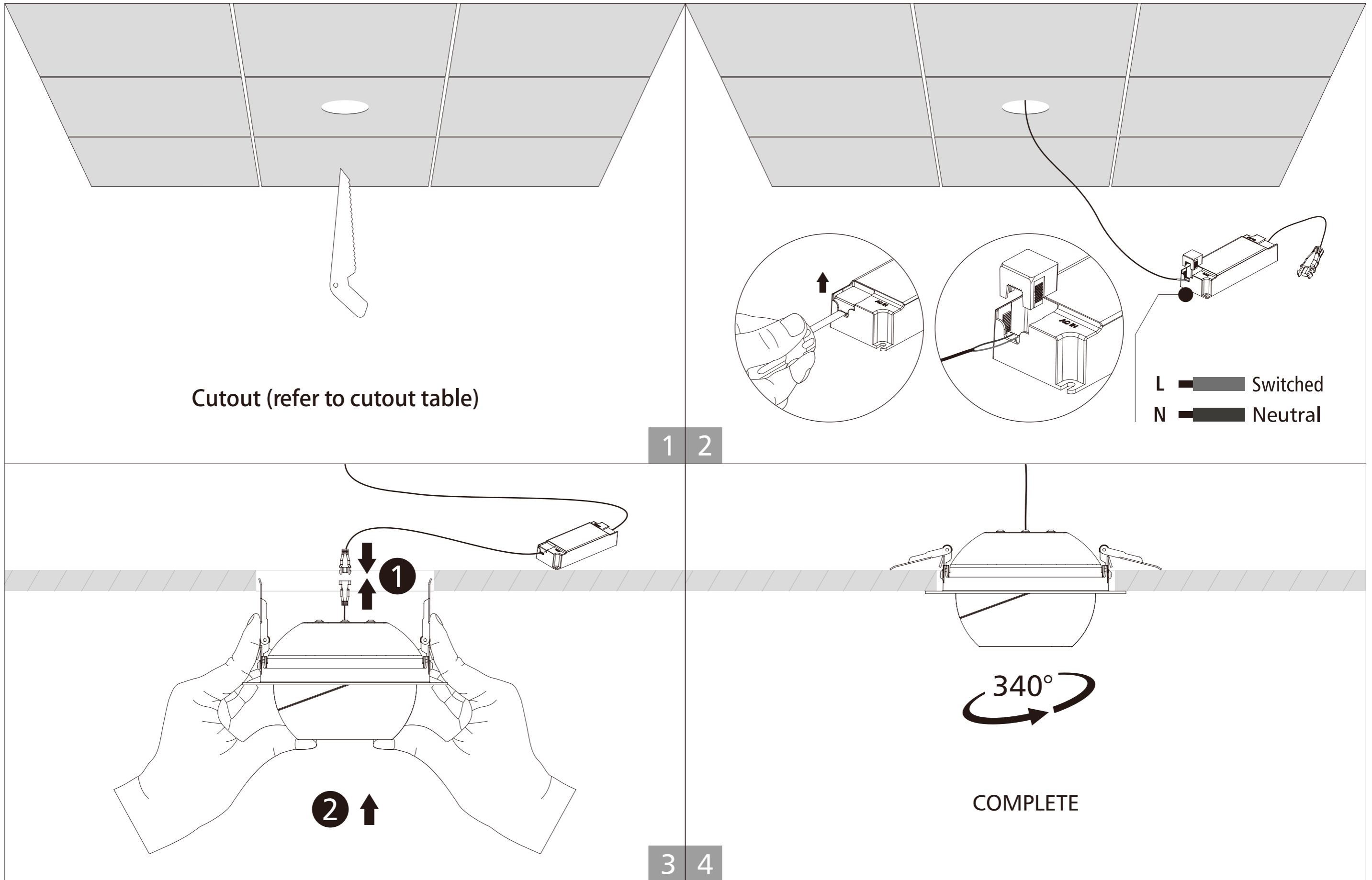
1. Switch off power supply before installation / maintenance.
2. Switch on only after complete installation and examination of the circuit.
3. Professional electrician for installation and maintenance only.



Screw surface mounted installation



Downlight with external driver



ECO
Specifications

STD
Specifications

PRO
Specifications

ODM
Specifications


INT
Intelligent

UPSHINE | *Up to Shine, there is life*
光之上，是生活

▼ www.upshine.com info@upshine.com TEL: +86 755 2919 7332 ▼

Add: 2-5 Floor, 2nd Building, Runheng Industrial Zone, Fuyuan 1st Road(West side), Fuyong Sub-district, Bao'an, Shenzhen, China