

MAGNETIC track rail NOMANI Datasheet

Model	MAGNETIC track rail NOMANI
Sizes	2000 x 44 x 57mm, 3000 x 44 x 57mm
Mounting	Recessed
Material	Aluminum, PVC, copper wire
Authentication	CE, ROHS
Environment	Indoor
Notes	MAGNETIC TRACK RAILS are a new generation of innovative lighting systems.



SPECIFICATION	
Size (mm)	44 x 57mm

ELECTRICAL

Max. safe load	200 W/m
Transformer mounting	External
Transformer type	Electronic
Maximum safe current	4A
Voltage	48V DC

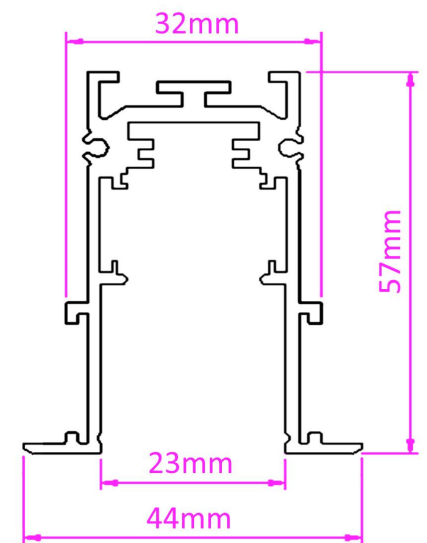
Colors:

Black
 White

Dimensions: 44 x 57mm

PHYSICAL

Construction material	aluminum, PVC, copper
Gravity test per 1m	4,4 kg weight
Working temperature	0 to +40 °C
Warranty	3 years from purchase date



R20-4

CERTIFICATIONS

